

## CONSTANT LEVEL OILERS



Opto-Matic Oiler – Glass



Opto-Matic Oiler – Plastic



Opto-Matic Closed System Oiler



Watchdog Oiler

Constant Level Oilers are used to maintain the lubricant level in piece of equipment that naturally depletes lubricant through use, wear, friction, misting or evaporation. As lubricant is depleted in equipment, such as bearings, gearboxes, or pump housings due to its natural operation and the generations of heat from friction, the level of lubricant changes. A constant level oiler can be used to maintain optimum performance.

### CONSTANT LEVEL OILERS COMPARISON MATRIX

	Opto-Matic Oiler – Glass	Opto-Matic Oiler – Plastic	Opto-Matic Closed System Oilers	Watchdog Oilers
Reservoir Material	Glass Reservoir	Butyrate Plastic	Glass	Glass or Polysulfone
Body Material	Zinc or 316 Stainless Steel	Zinc	Zinc	Cast Aluminum, Polysulfone, or 316 Stainless Steel
Reservoir Capacity	2-1/2, 4, 8, or 16 oz.	2, 4, 8 oz.	4, 8, 16 oz.	4 oz.
Mounting Options	Side or Bottom	Side or Bottom	Side or Bottom	Side
Venting Type	Vented/Open System	Vented/Open System	Closed/Pressure Balanced System	Closed/Pressure Balanced System
Oil Level Sight Gauge	No	No	Yes	Yes
Wire Guard	Yes	No	Yes	Yes
Oil Level Adjustability	Yes	Yes	Yes	No



## OPTO-MATIC® CONSTANT LEVEL OILERS



Opto-Matic Oilers provide an inexpensive method to automatically maintain a constant level of oil in a pump bearing housing, gear box, or other oil sump applications. Throughout processing industries, the Opto-Matic Oiler is the industry standard. Different reservoir capacities allow use in many applications.

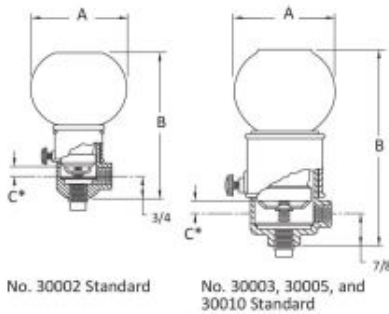
Stainless steel models provide long life in corrosive environments in the chemical, pulp and paper, and mining industries.

### FEATURES

- One piece glass reservoir ensures proper constant level function. Compared to competitive models, there is no possibility of air leakage that would cause overfilling of the bearing housing.
- Adjustable level setting allows use in many applications
- Multiple air vent slots provide for proper functioning at all times
- Large surge chamber helps prevent overflow of oil during machine start-up or shut-down
- Side and bottom connections for simplified installation

### WIRE GUARDS

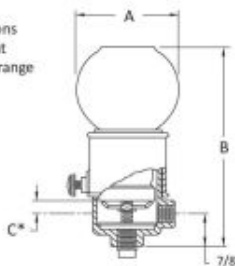
Model No. Standard	Model No. Stainless Steel	Description
30012	—	2-1/2 oz. Guard
30013	30313	4 oz. Guard
30016	30315	8 oz. Guard
30020	30320	16 oz. Guard



No. 30002 Standard

No. 30003, 30005, and 30010 Standard

\* "C" dimensions represent oil level range



Connection Side and Bottom Stainless Steel

### SPECIFICATIONS

	Standard	316 Stainless Steel
Max. Operating Temp.	250°F Continuous	
Reservoir	One-Piece Glass Bottle	
Casting	Zinc	316 Stainless
Finish	Zinc/Chromate Plated	Passivated
Internal Parts	Zinc Plated Steel	
O-ring	Viton®	

Viton® is a registered trademark of Du Pont Dow Elastomers.

### SELECTION CHART-STANDARD

With Wire Guard	Without Wire Guard	Capacity	Connection (NPT)	Dimensions (in.)				
				A	B Min.	B Max.	C Min.	C Max.
40391	30002	2-1/2 oz.	1/4	2-1/2	3-15/16	4-1/4	11/32	9/16
40061	30003	4 oz.	1/4	2-11/16	5	5-3/4	9/32	1
40291	30005	8 oz.	1/4	3-3/16	5-15/16	6-11/16	9/32	1
40394	30010	16 oz.	1/4	4-1/8	6-13/16	7-9/16	9/32	1

\* Metric thread sizes available. Add "-M" to part number for 1/4 BSPT connection port.

### SELECTION CHART-316 STAINLESS STEEL

Side & Bottom Connect-With Wire Guard	Side & Bottom Connect-No Wire Guard	Capacity	Connection (NPT)	Dimensions (in.)				
				A	B Min.	B Max.	C Min.	C Max.
40060	30213	4 oz.	1/4	2-11/16	4-15/16	5-11/16	9/32	1
40063	30215	8 oz.	1/4	3-3/16	5-7/8	6-5/8	9/32	1
—	30220	16 oz.	1/4	4-1/8	6-3/4	7-1/2	9/32	1

\* Metric thread sizes available. Add "-M" to part number for 1/4 BSPT connection port.

See Spectrum Opto-Matic Collars on page 12 for color coding options.

CONTACT YOUR LOCAL TRICO AUTHORIZED DISTRIBUTOR FOR MORE INFORMATION



# OPTO-MATIC® CONSTANT LEVEL OILERS



Opto-Matic Oilers provide a constant level of oil in a pump bearing housing, gear box, or other oil sump applications. Different reservoir capacities allow use in many applications.

"LS", "EH", and "EHB" models have a large surge chamber to minimize potential of leakage during oil surge conditions.

## FEATURES

- High strength, transparent, ribbed plastic reservoir provides long life and impact resistance
- Adjustable level setting allows use in many applications
- Multiple air vent slots provide for proper functioning at all times
- Large surge chamber (LS, EH, and EHB models) prevents overflow of oil during machine start-up or shut-down
- Side and bottom connections for simplified installation



## SPECIFICATIONS

Max. Operating Temp.	165°F Continuous
Reservoir	Butyrate Plastic
Casting	Zinc Die Cast
Finish	Bright Zinc Plated
Internal Parts	Zinc Plated Steel

## SELECTION CHART-E, EB

Model No.		Capacity	Connection (NPT)	Dimensions (in.)				
E	EB			A	B Min.	B Max.	C Min.	C Max.
30052	30062	2 oz.	1/4	1-15/16	3-7/8	4-3/8	1/4	3/4
30054	30064	4 oz.	1/4	2-5/16	4-9/16	5-1/16	1/4	3/4
30058	30068	8 oz.	1/4	2-5/8	5-11/16	6-3/16	1/4	3/4

\* Metric thread sizes available. Add "-M" to part number for 1/4 BSPT connection port.

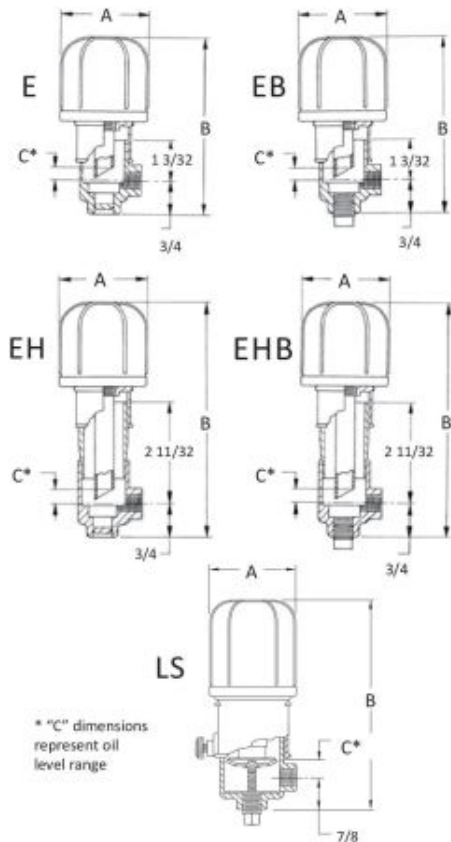
## SELECTION CHART-EH, EHB (large surge chamber)

Model No.		Capacity	Connection (NPT)	Dimensions (in.)				
EH	EHB			A	B Min.	B Max.	C Min.	C Max.
30072	30082	2 oz.	1/4	1-15/16	5	5-1/2	1/4	3/4
30074	30084	4 oz.	1/4	2-5/16	5-11/16	6-3/16	1/4	3/4
30078	30088	8 oz.	1/4	2-5/8	6-13/16	7-5/16	1/4	3/4

## SELECTION CHART-LS (large surge chamber)

Model No.	Capacity	Connection (NPT)	Dimensions (in.)				
			A	B Min.	B Max.	C Min.	C Max.
30024	4 oz.	1/4	2-5/16	5-7/16	6-3/16	9/32	1
30028	8 oz.	1/4	2-5/8	6-9/16	7-5/16	9/32	1

\* Metric thread sizes available. Add "-M" to part number for 1/4 BSPT connection port.



\* "C" dimensions represent oil level range

See Spectrum Opto-Matic Collars on page 12 for color coding options.

CONTACT YOUR LOCAL TRICO AUTHORIZED DISTRIBUTOR FOR MORE INFORMATION